

Installation, Operation and Maintenance Manual

Please read and save these instructions for future reference. Read carefully before attempting to assemble, install, operate or maintain the product described. Protect yourself and others by observing all safety information. Failure to comply with instructions could result in personal injury and/or property damage!

Model RA



Table of Contents

Receiving, Unpacking Handling and Storage	2
Removing from Storage	2
Lifting	3
Effects of Installation on Performance	3
Typical Installation	4
Vertical Mount	4
Operation and Unit Start-Up	4
Performance Adjustments	
Field Performance Adjustments	5
Adjusting Performance with a Variable Frequency Drive	5
Adjusting Performance through Blade Pitch Adjustments	5
Torque Specifications for Bushing and Propeller Bolts	5
Maintenance	6
Parts List	6
Maintenance Log	7
Our Commitment	8

General Safety Information

Only qualified personnel should install this unit. Personnel should have a clear understanding of these instructions and should be aware of general safety precautions. Improper installation can result in electric shock, possible injury due to coming in contact with moving parts, as well as other potential hazards. Other considerations may be required if high winds or seismic activity are present. If more information is needed, contact a licensed professional engineer before moving forward.

1. Follow all local electrical and safety codes, as well as the National Electrical Code (NEC), the National Fire Protection Agency (NFPA), where applicable.
2. The rotation of the propeller is critical. It must be free to rotate without striking or rubbing any stationary objects.
3. Motor must be securely and adequately grounded.
4. Do not spin fan propeller faster than the maximum cataloged fan rpm. Adjustments to fan speed with Variable Frequency Drives (VFD) may affect motor load. If the fan RPM is changed, the motor current should be checked to make sure it is not exceeding the motor nameplate amps.
5. Do not allow the power cable to kink or come in contact with oil, grease, hot surfaces or chemicals. Replace cord immediately if damaged.
6. Verify that the power source is compatible with the equipment.

DANGER

Always disconnect power before working on or near a unit. Lock and tag the disconnect switch or breaker to prevent accidental power up.

CAUTION

When servicing the unit, motor may be hot enough to cause pain or injury. Allow motor to cool before servicing.

Receiving

Upon receiving the product, check the bill of lading to ensure all items were received. Inspect each crate for shipping damage before accepting delivery. Notify the carrier if any damage is noticed. The carrier will make notification on the delivery receipt acknowledging any damage to the product. All damage should be noted on all the copies of the bill of lading which is countersigned by the delivering carrier. A Carrier Inspection Report should be filled out by the carrier upon arrival. If damaged upon arrival, file claim with carrier. Any physical damage to the unit after acceptance is not the responsibility of Greenheck Fan Corporation.

Unpacking

Verify that all required parts and the correct quantity of each item have been received. If any items are missing, report shortages to your local representative to arrange for obtaining missing parts. Sometimes it is not possible that all items for the unit be shipped together due to availability of transportation and truck space. Confirmation of shipment(s) must be limited to only items on the bill of lading.

Handling

Handle in such a manner as to keep from scratching or chipping the coating. Fans should not be lifted by the motor shaft, motor housing or fan accessories. Damaged finish may reduce ability of unit to resist corrosion.

Storage

Units are protected against damage during shipment. If the unit cannot be installed and operated immediately, precautions need to be taken to prevent deterioration of the unit during storage. The user assumes responsibility of the unit and accessories while in storage. The manufacturer will not be responsible for damage during storage. These suggestions are provided solely as a convenience to the user.

INDOOR — The ideal environment for the storage of units and accessories is indoors, above grade, in a low humidity atmosphere which is sealed to prevent the entry of blowing dust, rain, or snow. Temperatures should be evenly maintained between 30°F (-1°C) and 110°F (43°C) (wide temperature swings may cause condensation and “sweating” of metal parts). All accessories must be stored indoors in a clean, dry atmosphere.

Remove any accumulations of dirt, water, ice, or snow and wipe dry before moving to indoor storage. To avoid “sweating” of metal parts allow cold parts to reach room temperature. To dry parts and packages, use a portable electric heater. Leave coverings loose to permit air circulation and to allow for periodic inspection.

The unit should be stored at least 3½ inches (89 mm) off the floor on wooden blocks covered with moisture proof paper or polyethylene sheathing. Aisles between parts and along all walls should be provided to permit air circulation and space for inspection.

OUTDOOR — Units designed for outdoor applications may be stored outdoors, if absolutely necessary. Roads or aisles for portable cranes and hauling equipment are needed.

The fan should be placed on a level surface to prevent water from leaking into the unit. The unit should be elevated on an adequate number of wooden blocks so that it is above water and snow levels and has enough blocking to prevent it from settling into soft ground. Locate parts far enough apart to permit air circulation, sunlight, and space for periodic inspection. To minimize water accumulation, place all unit parts on blocking supports so that rain water will run off.

Do not cover parts with plastic film or tarps as these cause condensation of moisture from the air passing through heating and cooling cycles.

Inspection and Maintenance during Storage

While in storage, inspect fans once per month. Keep a record of inspection and maintenance performed.

If moisture or dirt accumulations are found on parts, the source should be located and eliminated. At each inspection, rotate the fan propeller by hand ten to fifteen revolutions to distribute lubricant on motor. Every three months, the fan motor should be energized. If paint deterioration begins, consideration should be given to touch-up or repainting. Fans with special coatings may require special techniques for touch-up or repair.

Machined parts coated with rust preventive should be restored to good condition promptly if signs of rust occur. Immediately remove the original rust preventive coating with petroleum solvent and clean with lint-free cloths. Polish any remaining rust from surface with crocus cloth or fine emery paper and oil. Do not destroy the continuity of the surfaces. Wipe thoroughly clean with Tectyl® 506 (Ashland Inc.) or the equivalent. For hard to reach internal surfaces or for occasional use, consider using Tectyl® 511M Rust Preventive or WD-40® or the equivalent.

REMOVING FROM STORAGE — As units are removed from storage to be installed in their final location, they should be protected and maintained in a similar fashion, until the equipment goes into operation.

Prior to installing the unit and system components, inspect the unit assembly to make sure it is in working order.

1. Check all fasteners on the fan, propeller, motor base, and accessories for tightness.
2. Rotate the fan propeller by hand and assure no parts are rubbing.
3. Fans should not be lifted by the motor shaft, motor housing or fan accessories.

Lifting



Fan models RA are to be lifted using a minimum of four (4) points on the fan housing or attach two suitable chains/straps around the entire fan housing, one near each duct flange.

For flange mounted fans, attach suitably sized chains or lifting straps to two locations on the inlet and outlet flanges as shown.

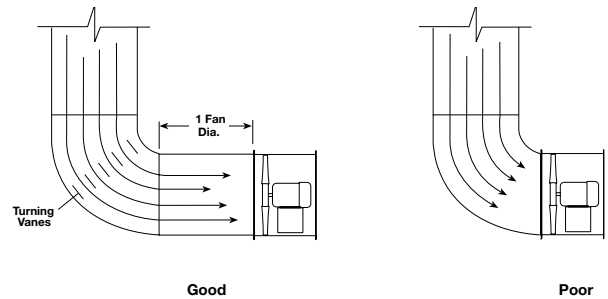


Effects of Installation on Performance

Any installation with inlet or discharge configurations that deviate from these recommendations may result in reduced fan performance. Restricted or unstable flow at the fan inlet can cause pre-rotation of incoming air or uneven loading of the fan propeller yielding large system losses and increased sound levels. Free discharge or turbulent flow in the discharge ductwork will also result in system effect losses.

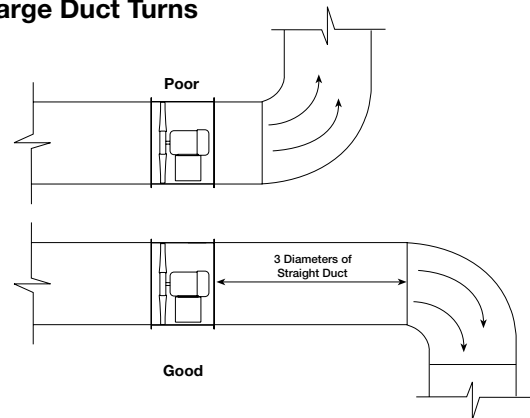
The most common inlet and discharge conditions which affect fan performance are:

Inlet Duct Turns



Installation of a duct turn or elbow too close to the fan inlet reduces fan performance because air is loaded unevenly into the fan prop. To achieve full fan performance there should be at least one to two fan diameters between the turn or elbow and the fan inlet.

Discharge Duct Turns



Fan performance is reduced when duct turns are made immediately off the fan discharge. To achieve cataloged fan performance, there should be at least three equivalent fan diameters of straight ductwork between the fan discharge and any duct turns.

Typical Installations

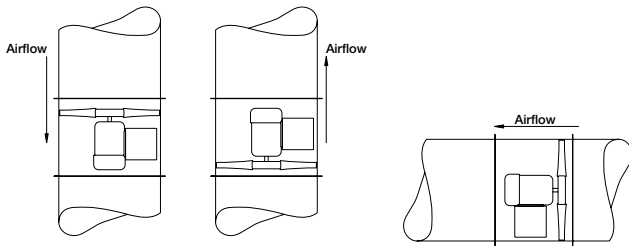
The examples shown below are common installations of the different housing options. Before beginning installations, reference the airflow direction as indicated by the direction decal attached to the fan.



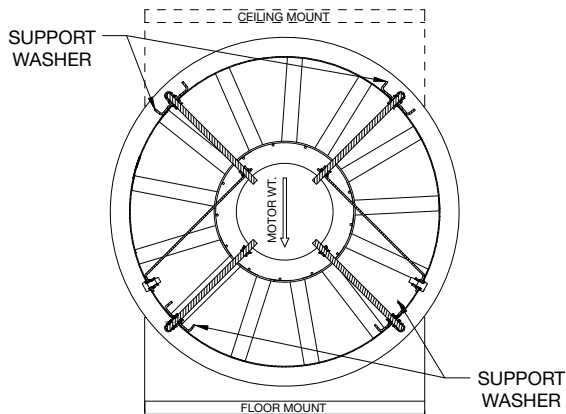
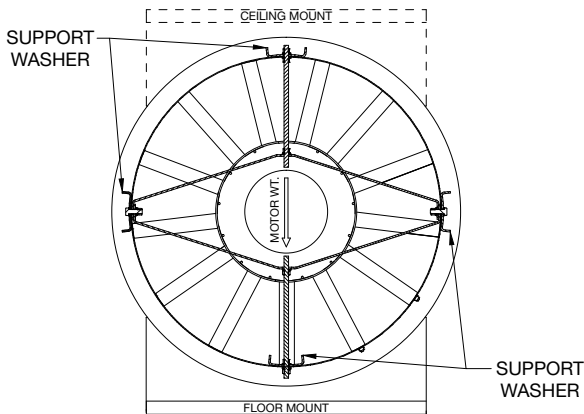
**Airflow
Direction Decal**

Units with Flange Mounting

• Downblast or Horizontal

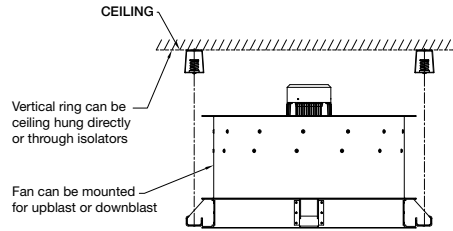


For fans with 200 and above motor frames, reference the support washer orientation as indicated below.



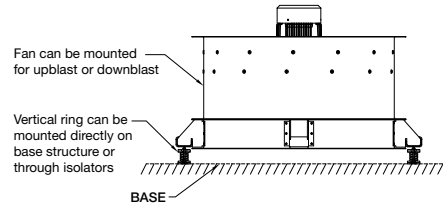
Vertical Mount

For vertical mount installation, a mounting ring is added to mount the fan. For dimensions, refer to the submittal.



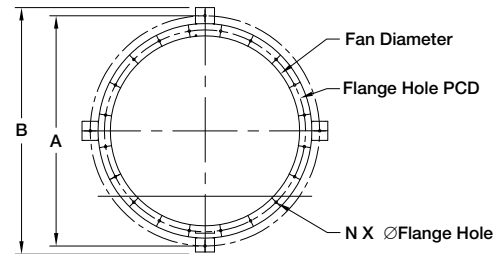
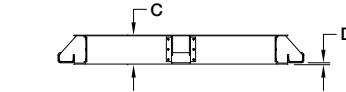
Vertical ring can be ceiling hung directly or through isolators

Fan can be mounted for upblast or downblast



Fan can be mounted for upblast or downblast

Vertical ring can be mounted directly on base structure or through isolators



Vertical wall mount stand assembly is provided loose condition, part shown in Figure 1. Follow steps below to assemble and install.

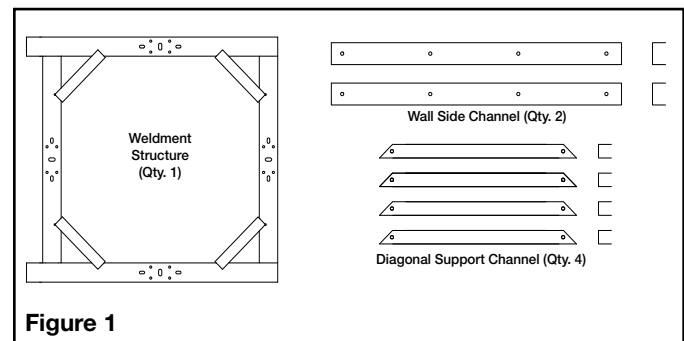


Figure 1

1. Assemble weldment structure to wall side channels with fasteners provided. Keep fasteners loose.
2. Assemble all four diagonal support channels shown in Figure 1. Make sure fasteners are added both inside and outside of diagonal support.
3. Torque all fasteners (see Table 1) after assembly is complete. Final assembly will look as shown in Figure 2.

Torque Table		
No.	Fastener Size	Torque
1	M8 X 1.25	16.0 ft-lbs / 21.7 N m
2	M10 X 1.5	31.6 ft-lbs / 42.8 N m
3	M12 X 1.75	55.1 ft-lbs / 74.7 N m
4	M14 X 2.0	88.1 ft-lbs / 119.4 N m

Table 1

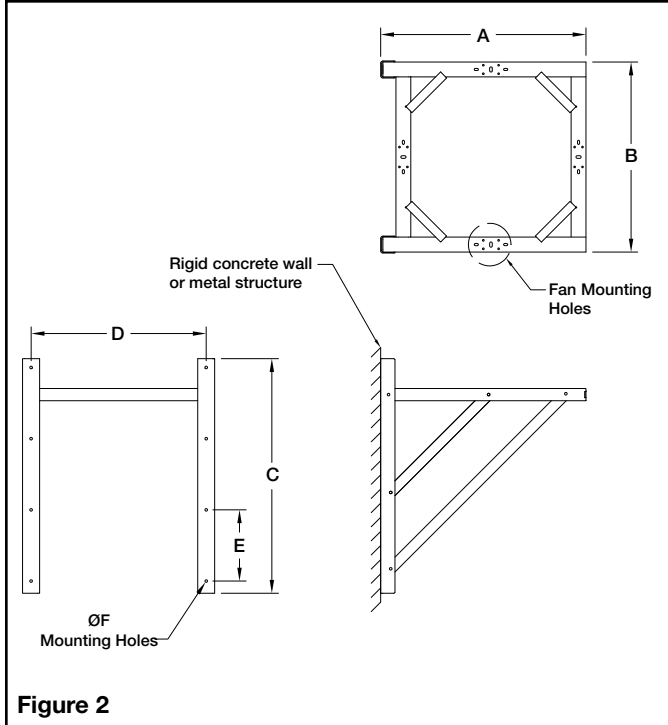


Figure 2

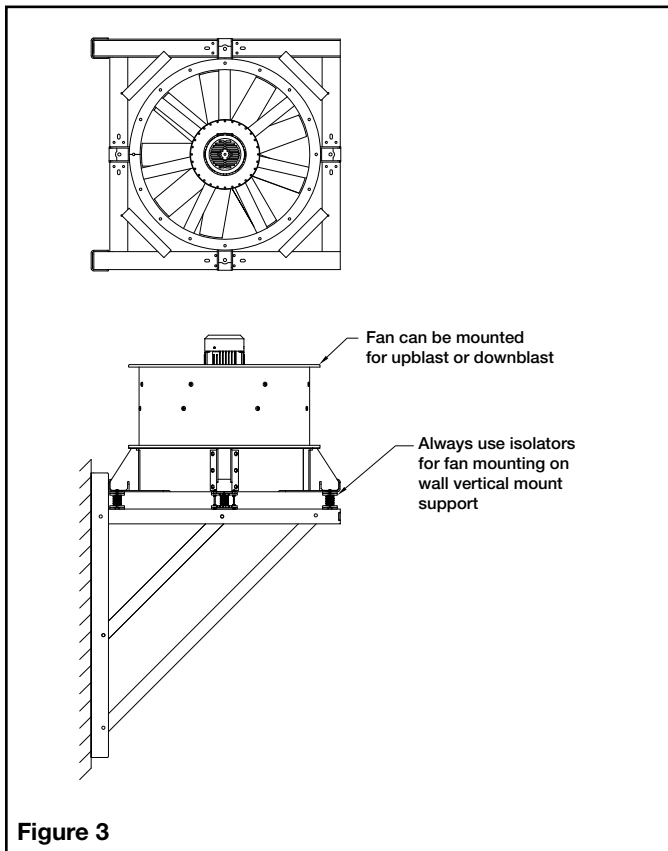


Figure 3

4. Install isolators on weldment structure and torque fasteners as shown in Table 1.
5. Install vertical wall mount structure to required position.
6. Install and fasten fan over isolators. For safety, follow correct installation by lifting and installing fan using overhead or Hydra cranes.

Operation and Unit Start-Up

Electrical Connections

Before electrical connections are made, the supply voltage, phase and ampere capacity must be checked for compatibility with the fan motor. In addition, the supply wiring must be properly fused and conform to local and national electrical codes.

The supply wires are then connected to a junction box on the outside of the fan.

Pre-Start-Up Checks

1. Check all fasteners for tightness. Fasteners may come loose during transit or handling at the jobsite. This includes motor bolts, mounting brackets, and bushing bolts attaching the propeller to the motor shaft.
2. Propeller rotation should be in the same direction as the rotation decal affixed to the unit. For 3-phase installations, fan rotation can be reversed by simply interchanging any two of the three electrical leads. For single phase installations, follow the wiring diagram located on the motor.



Propeller Rotation Decal

Performance Adjustments

Field Performance Adjustments

The performance of an RA fan can be adjusted through the use of a variable speed drive (VFD) or adjusting the fan pitch (RA-500-325 and larger). Both can be effectively used for final air balancing. Note that any change, increase or decrease in fan speed (RPM) or blade pitch, can represent a substantial increase in power required from the motor. Check motor load amperage and compare to nameplate rating when changing the fan speed or blade pitch.

Adjusting Performance with a Variable Frequency Drive (VFD)

Before wiring a VFD, determine that the motor is compatible with this type of equipment. Connecting a VFD to a non-compatible motor may reduce the life of the motor. Additionally, it is important to properly ground fans being wired with a VFD. For more information on these subjects, refer to Greenheck document "Are Bearing Currents Causing Your Motor Failures?" located at www.greenheck.com. Click on Library, Application Articles, and use the keyword "VFD". Greenheck is not responsible for improper wiring of a VFD or for potential motor damage as a result of operating a fan over its maximum operating frequency.

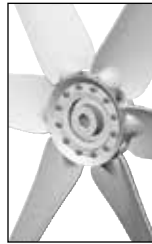
Adjusting Performance through Blade Pitch Adjustments for fan diameters 500-1600mm only

The blade pitch can be adjusted without removing the propeller from the fan casing. Steps to adjust the blade pitch are as follows:

1. Determine the new blade pitch required with your local Greenheck representative. Verify that the motor has sufficient capacity to handle the new power requirements.
2. Disconnect and lock out all power to the fan to prevent accidental start-up.
3. Gain access to the propeller side of the fan. This may require removing the fan from the existing duct system or dismantling ductwork to gain access.
4. Loosen the blades to the point where they can be rotated in the hub. Hub and blade fastening vary by fan size. Hub styles and bolt torque requirements are provided. Do NOT pound on the blades to adjust the pitch. They should be snug, but movable by hand.
5. Use the blade pitch protractor found on Greenheck's website (www.greenheck.com) to adjust the pitch. Follow the directions stated on the guide for determining blade pitch.
6. Adjust one blade to the desired pitch angle and remove the protractor sheet.
7. Use a marker to trace the profile of the blade on the fan housing.
8. Adjust the remaining blades to the traced profile.

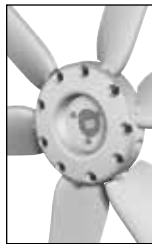
9. Retighten the hub to the torque specs detailed below per hub size.
10. Reinstall the fan or any duct pieces that were removed.
11. Review the Operation and Start-Up procedures listed earlier in this manual.
12. After start-up, make a final check of the fan amps to ensure the motor is not overloaded.

Torque Specifications for Bushings and Propeller Bolts



HUB SIZE: 190 mm

Bushing bolts 16 ft-lb / 21.7 N-m
Propeller bolts 7 ft-lb / 9.5 N-m



HUB SIZE: 275 mm

Bushing bolts 16 ft-lb / 21.7 N m
Propeller bolts 21 ft-lb / 28.5 N m



HUB SIZE: 533 mm

Bushing bolts 40 ft-lb / 54.2 N m
Blade Nuts 125 ft-lb / 169.5 N m

Maintenance

Once the unit has been put into operation, a routine maintenance schedule should be set up to accomplish the following:

1. Lubrication of motor.
2. Propeller, housing, and bolts on the entire fan should be checked for tightness.
3. Any dirt accumulation on the propeller or in the housing should be removed to prevent unbalance and possible damage.
4. Inspection of fan propeller and housing looking for fatigue, corrosion, or wear.

When performing any service to the fan, disconnect the electrical supply and secure fan propeller.

Motors

Motor maintenance is generally limited to cleaning and lubrication. Cleaning should be limited to exterior surfaces only. Removing dust and grease buildup on the motor housing assists proper motor cooling. Never wash-down motor with high pressure spray.

Greasing of motors is only intended when fittings are provided. Many motors are permanently lubricated for life and require no further lubrication. Motors supplied with grease fittings should be greased in accordance with the motor manufacturer's recommendations.

Fasteners and Set Screws

A periodic inspection should include checking all fasteners and bolts for tightness. Particular attention should be paid to the bushing attaching the propeller to the motor shaft and the motor to its mounting fixture.

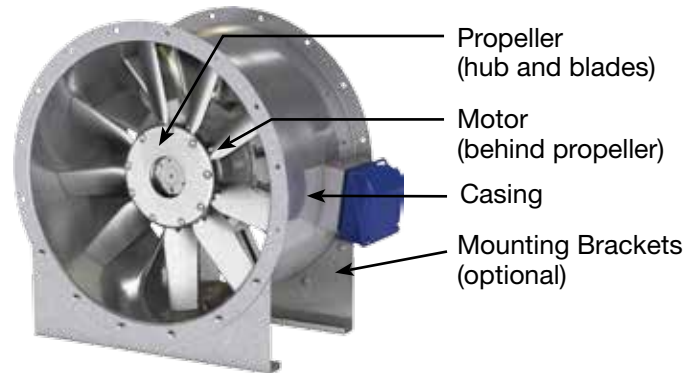
Removal of Dust and Dirt

Dirt clogs cooling openings on the motor housing, contaminates bearing lubricant, and collects on the propeller causing severe imbalance if left unchecked. The exterior surface of the motor and propeller should be thoroughly cleaned periodically. Use caution and do not allow water or solvents to enter the motor. Under no circumstances should motors be sprayed with steam or water.

Parts List

Each fan bears a manufacturer's nameplate with model number and serial number embossed. This information, in addition to the shown parts diagram, will assist the local Greenheck representative and the factory in providing service and replacement parts.

Nameplates are mounted in an area which is clearly visible, usually near the fan outlet. The exact tag location may differ with fan model and size.



Our Commitment

As a result of our commitment to continuous improvement, Greenheck reserves the right to change specifications without notice.

Specific Greenheck product warranties are located on greenheck.com within the product area tabs and in the Library under Warranties.

Greenheck's High Performance Axial Fan catalog, Model RA, provides additional information describing the equipment, fan performance, available accessories, and specification data.

AMCA Publication 410-96, Safety Practices for Users and Installers of Industrial and Commercial Fans, provides additional safety information. This publication can be obtained from AMCA International, Inc. at www.amca.org.

